





# Vacuum Pumps

## HUMM-VAC®

The Uniweld *exclusive* HUMM-VAC® Pumps remove moisture and dehydrate a system quickly and efficiently by using synthetic oil which absorbing dust and moisture than mineral oil. The all-metal, heavy duty chassis; powerful, quiet running dual voltage motor; lighter weight and ergonomically designed features make these pumps the #1 choice to go to work with you.

### FEATURES

Solenoid check valve to protect the refrigeration system from oil contamination during power outage.

Gas ballast valve for reduction of water vapor in the oil container.



### Pump Specifications

	UVP5.5	HVP6	HVP8	HVP12
Free Air Displacement	5.5 CFM, 155 liter/min	6.0 CFM, 170 liter/min	8.0 CFM, 226 liter/min.	12.0 CFM 340 liter/min.
Number of Stages	2-Stage Rotary Vane	2-Stage Rotary Vane	2-Stage Rotary Vane	2-Stage Rotary Vane
Factory Micron Rating	15 Microns	15 Microns	15 Microns	15 Microns
Intake Fittings	1/4" and 3/8" Male Flare	1/4" & 3/8" Male Flare; 1/2" Acme	1/4", 3/8" & 1/2" Male Flare	1/4", 3/8" & 1/2" Male Flare
Thermal Overload Protection	1/4 HP	1/2 HP	3/4 HP	1 HP
Voltage	110/220V - 50/60Hz	110/220V - 50/60Hz	110/220V - 50/60Hz	110/220V - 50/60Hz
Oil Capacity	15.2 Oz [450ml]	27.1 Ounces [800 ml]	25 Ounces [740 ml]	33.8 Ounces [1000 ml]
Power Cord*	India -Type D Plug	72" [1.83m], India -Type D Plug	72" [1.83m], India -Type D Plug	72" [1.83m], India -Type D Plug
Dimensions	13.9" x 5.5" x 10.2" 35.3 cm x 40 cm x 26 cm	14.50" x 6.875" x 10.75" 36.83 cm x 17.46 cm x 27.30 cm	15.0" x 6.875" x 10.75" 38.1 cm x 17.46 cm x 27.3 cm	15.0" x 6.875" x 10.75" 38.1 cm x 17.46 cm x 27.3 cm
Weight	22.05 lbs. [10 kg]	26 lbs. [11.80 kg]	30.2 lbs. [13.7 kg]	38.6 lbs. [15.88 kg]
Shipping Weight	25.20 lbs. [11.4 kg]	30 lbs. [13.60 kg]	32.8 lbs. [14.9 kg]	41.7 lbs. [18.9 kg]
Color		Yellow	Red	Black





1.5 CFM

# Vacuum Pumps

The UVP1.5 (1.5CFM) pump is built for deep vacuum service on Ductless Mini-Splits and Automotive A/C Systems. A reliable mini-pump providing the latest in vacuum pump technology.



**DOUBLE STAGE WITH ONLY 4.5 KG WEIGHT**

Part#	Free Air Displacement		Number of Stages	Factory Micron Rating	Intake Fittings [SAE]	Motor H.P.	Voltage	Power Cord 72" [1.83m] Plug Type	Oil Capacity	Dimensions Inches [cm]			Weight Lbs.[Kg]	
	CFM	L/Min								L	W	H	Net	Ship
<b>UVP1.5-110</b>	1.43	40.5	2	38	1/4" Male Flare and 3/8" Acme	1/4	110V 50/60Hz	U.S.-Type B	4.7 Oz. [140 ml]	10.23 [26.0]	3.5 [9.0]	6.4 [16.5]	10 [4.5]	14 [6.3]
<b>UVP1.5-220</b>	1.43	40.5	2	38	1/4" Male Flare and 1/2" Acme	1/4	220V 50/60Hz	Europe-Type F	4.7 Oz. [140 ml]	10.23 [26.0]	3.5 [9.0]	6.4 [16.5]	10 [4.5]	14 [6.3]

## Vacuum Pump Oil

Uniweld's Vacuum Pump Oil is refined with excellent thermal stability for maximum efficiency in any vacuum pump. For maximum pump performance, it is recommended that the oil be changed after every evacuation. Severely hydrotreated parafnic ISO Viscosity Grade 46.

Remember : A vacuum pump can only pull a vacuum as deep as the vapor pressure of the sealing oil.



	Part#	Description	Part#	Description
<b>Vacuum Pump Oil</b>	42005	1 Quart [946 ml]	42006	1 Gallon [3.78 L]



Uniweld Products, Inc. Fort Lauderdale, FL 33312 U.S.A. Contact No. 9899775796, 9311975796  
asharma@uniweld.com www.uniweld.com



# MaxEvac™

## THE PROFESSIONAL EVACUATION KIT

The MaxEvac kit MAXIMIZE your vacuum efficiency for faster evacuations. The large 1/2" diameter dedicated evacuation hoses MAXIMIZE the suction capacity of the vacuum Pump. Smaller diameter hoses restrict flow and limit the vacuum pump from achieving. The Y adapter provides a dual hose connection to any vacuum pump and the 20 micron rated valve core tools remove the restrictive high and low side valve cores to significantly increase flow. The metal hose protector keeps your hoses sealed and protects them from dirt and debris.



**BUILT-IN MAGNET**

Remove restriction and increase flow! MAXIMIZE Efficiency

**METAL HOSE PROTECTOR** KEEPS HOSE SEALED AND PROTECTS FROM DIRT AND DEBRIS (INCLUDED WITH MAXEVAC HOSES)

**UNIWELD UVG2 DIGITAL VACUUM GARUGE** (SOLD SEPARATELY) EASILY CONNECTS TO THE SIDE PORT ON THE CORE TOOL FOR AN ACCURATE VACUUM MEASUREMENT.

**MAXEVAC Y ADAPTER PROVIDES A DUAL HOSE CONNECTION TO ANY VACUUM PUMP FOR MAXIMUM VACUUM EFFICIENCY**

**PART# MEPK14**  
MaxEvac™ Professional Evacuation Kit Includes:  
(2) Black 6ft. 1/2" MaxEvac Hose  
3/8" x 1/4" Fitting  
(2) 1/4" Valve Core Removal Tool with 1/4" Side Port  
(2) Metal Hose Protector 3/8" x 1/4"  
(1) Y Adapter 2/8" FF x (2) 3/8" MF  
(1) MaxEvac Durable Storage Bag.

## Heavy Duty Charging and Vacuum Hoses Soft Magic® Hoses

Premium, large I.D. Hoses for CFC, HCFC and HFC refrigerants. Supplied with large, knurled hose nuts and rubber gaskets for easy finger tightening or wrench tight metal to metal seat hex flare nuts and copper gasket. Choose from 3/8", 1/2" and 3/4" I.D. hoses to suit your requirements. 2-year over-the-counter replacement warranty\*.



Hex Female Flare  
Metal to Metal Seat  
Part Code: HDSBV

Always use bigger size 3/8" connection Uniweld hose for fast vacuuming and save time and cost.

- Uniweld's Fast-Flo Hose Set is comprised of a 3/8" charging/Recovery and vacuum hose with full flow ball valve shut-off.
- Save 30% time for recover/charging and vacuuming the system.
- Ball valve is Leak proof and 15 micron rated

# UNIWELD MaxEvac™

THE PROFESSIONAL EVACUATION KIT

The MaxEvac Kit MAXIMIZES your vacuum efficiency for faster evacuation. The large 1/2" diameter dedicated evacuation hose MAXIMIZES the suction capacity of the vacuum pump. Smaller diameter hoses restrict flow and limit the vacuum pump from achieving its full suction capacity. The Y adapter (sold separately) provides a dual hose connection to any vacuum pump and the 20 micron rated valve core tool removes the restrictive high and low side valve cores to significantly increase flow. The metal hose protector keeps your hose seal and protects it from dirt and debris.

## PART # MEBK14

### MaxEvac™ Basic Evacuation Kit Includes

- (1) Black 6 ft, 1/2" MaxEvac  
3/8"x1/4" Fittings
- (1) 1/4" Valve Core Removal Tool  
with 1/4" Side Port
- (1) Metal Hose  
Protector  
3/8"x 1/4"



BUILT-IN  
MAGNET



Remove restrictions  
and increase flow!  
MAXIMIZE EFFICIENCY

METAL HOSE PROTECTOR  
KEEPS HOSE SEALED  
AND PROTECTS FROM  
DIRT AND DEBRIS  
(INCLUDED WITH  
MAXEVAC HOSES)



6 ft. LARGE 1/2"  
DEDICATED  
EVACUATION  
HOSE WITH  
3/8" x 1/4" FITTINGS

## SPECIFICATIONS

### PART# ACCESSORIES SOLD SEPARATELY

MECT14	1/4" VALVE CORE REMOVAL TOOL WITH 1/4 SIDE PORT FITTING
MECT516	R-410 MINI SPLIT 5/16" VALVE CORE REMOVAL TOOL WITH 1/4" SIDE PORT FITTING
MEXR	SHORT VALVE CORE EXTRACTOR ROD ASSEMBLY
MEXR3	36" (91cm) 1/2" MAXEVAC HOSE, 3/8" STR. STR x 1/4" STR, BLACK WITH MEHP HOSE PROTECTOR
MEXR5	60" (152cm) 1/2" MAXEVAC HOSE PROTECTOR
MEXR6	72" (182CM) 1/2" MAXEVAC HOSE, 3/8" STR. X 1/4" STR, BLACK WITH MEHP HOSE PROTECTOR
UYA14	MAXEVAC Y ADAPTER 1/4" FFX(2) 3/8" MF
UYA38	MAXEVAC Y ADAPTER 3/8" FFX(2) 3/8" MF
UYA12	MAXEVAC Y ADAPTER 1/2" FFX(2) 3/8" MF
MEHP	MAXEVAC METAL HOSE PROTECTOR 3/8" MF x 1/4" MF
MEBK14	MAXEVAC BASIC KIT 1/4"
MEBK 14	MAXEVAC PRPFSSIONAL

## Core Removal Tool

### SPECIFICATIONS

Remove and replace valve cores without losing the system's refrigerant charge.

Temporarily remove valve cores for unrestricted flow, providing faster recovery, evacuation and recharge of the system.

Optional 1/4" side port to attach and isolate a vacuum gauge at the system.

Part#	Description
92838	1/4" Valve Core Removal Tool with 1/4" Side Port Fitting
92868	5/16" R-410A Mini Split Valve Core Removal Tool with 1/4" Side Port Fitting



Uniweld Products, Inc. Fort Lauderdale, FL 33312 U.S.A. Contact No. 9899775796, 9311975796  
asharma@uniweld.com www.uniweld.com

# UNIWELD SMARTeCH<sup>®</sup>

## UVG2 DIGITAL VACUUM GAUGE

### SPECIFICATIONS

Range: 0-19,000 Microns, 2533.13 Pa, 25.3 mBar, 19 mmHg

Resolution: 1 Micron (0-400), 10 Micron (400-3000), 100 Micron (3000-10000), 250 Micron (10000-19000)

Temperature Compensated Self-Calibration

Accuracy: +/- 10% or +/- 10 Micron

Select from 8 different vacuum units: micron, inHg, Torr, psia, mbar, mTorr, Pa, kPa

Operating Temperature: 0°F to 140°F / -17.8°C to 60°C

Large, High-Visibility Backlit LCD Display

Battery Life: Up to 300 Hours

Battery Level Indicator

Sensor Withstands Overpressure Up to 400 PSI

Oil Filter Disk Prevents Sensor Contamination. Keeps your sensor clean and accurate!

IP65 Rated Water Resistant Rubberized Housing

Requires (3) AA Batteries- Not Included



- 3 DISPLAY
1. Battery Level Indicator
  2. Pressure Value
  3. Auto Off
  4. Vacuum Units

Button			UNITS
Press and Release	Backlight On/Off	Power On/Off	Vacuum Units
Press Both	Enable Auto Off		



Display Package

Work smarter with  
Uniweld's SmartTech  
Digital Vacuum Gauge...  
Unexpectedly More!

2 Valve Brass Manifold with 80 mm NPF™ Gauges



# Man, What a Manifold®

SPECIALLY FOR  
R-32/R-410A

80 MM BIG SIZE  
GAUGE MANIFOLD FOR  
PRECISE AND CLEAR VIEW

COLOR CODED  
GAUGE  
BOOTS



QS8N3SM410A-8

Lens Plug  
for easy  
zero reset

The patented Uniweld forged brass body is manufactured with reseatable Teflon® valve stem packing for durability and leakproof reliability. These user-friendly, accurate, manifolds feature: • NPF® No Pointer Flutter® 3 1/8" easy-to-read gauges with color coded refrigerant scales and color coded gauge boots • Metal [not plastic] hand wheels • Extended valve stems for ample knuckle clearance • Quick action valve assembly for 1/2 turn fully open or fully closed • Convenient 45° front hose holders • High Pressure Soft Magic® Barrier Hoses with EZ-Turn anti-blowback fittings. Man, What a Manifold!

Part#	Gauge Size	Description	Refrigerants
QS8N-5	80 mm NPF®	No Hoses	R-410A/R-22/R-404A/R-134a-PSI/Kg-Cm2/C
QS8N3SM-8	80 mm NPF®	3ft. Soft Magic® Barrier Hose Set	R-410A/R-22/R-404A/R-134a-PSI/Kg-Cm2/C
QS8N3SM410A-8	80 mm NPF®	3ft. Soft Magic® Barrier Hose Set with 1/4" X 5/16" Connection	R-410A/R-22/PSI/BAR/C



Uniweld Products, Inc. Fort Lauderdale, FL 33312 U.S.A. Contact No. 9899775796, 9311975796  
asharma@uniweld.com www.uniweld.com

## 2 Valve Brass Manifold with 63 mm LPF™ Gauges



# Man, What a Manifold®



The patented Uniweld forged brass body is manufactured with reseatable Teflon® valve stem packing for durability and leakproof reliability. This user-friendly, accurate, manifold features:

- Limited Pointer Flutter™, easy-to-read 2 1/2" gauges with color coded refrigerant scales and color coded gauge boots
- Metal [not plastic] hand wheels
- Extended valve stems for ample knuckle clearance
- Quick action valve assembly for 1/2 turn fully open or fully closed
- Convenient 45° front hose holders
- High Pressure Soft Magic® Barrier Hoses (available with optional EZ-Turn anti-blowback fittings). Man, What a Manifold!

Part#	Gauge Size	Description	Refrigerants
QAL-5	63 mm LPF™	No Hoses	R-22/R-404A/R-134a-PSI-Kg/Cm2/C
QAL3SM-5	63 mm LPF™	3ft. Soft Magic® Hose Set	R-22/R-404A/R-134a-PSI-Kg/Cm2/C
QAL5SM-5	63 mm LPF™	5ft. Soft Magic® Hose Set	R-22/R-404A/R-134a-PSI-Kg/Cm2/C
QAL6SM-5	63 mm LPF™	6ft. Soft Magic® Hose Set	R-22/R-404A/R-134a-PSI-Kg/Cm2/C
QAL3SMEZ-5	63 mm LPF™	3ft. Soft Magic® EZ-Turn Anti-Blowback Hose Set	R-22/R-404A/R-134a-PSI-Kg/Cm2/C



The patented Uniweld forged brass body is manufactured with reseatable Teflon® valve stem packing for durability and leakproof reliability. This user-friendly, accurate, manifold features:

- Limited Pointer Flutter™, easy-to-read 2 1/2" gauges with color coded refrigerant scales and color coded gauge boots
- Metal [not plastic] hand wheels
- Extended valve stems for ample knuckle clearance
- Quick action valve assembly for 1/2 turn fully open or fully closed
- Convenient 45° front hose holders
- High Pressure Soft Magic® Barrier Hoses (available with optional EZ-Turn anti-blowback fittings). Man, What a Manifold!

Part#	Gauge Size	Description	Refrigerants
QS4L-5	63 mm LPF™	No Hoses	R-410A/R-22/R-404A-PSI-Kg/Cm2/C
QS4L3H-5	63 mm LPF™	3ft. Soft Magic® Barrier Hose Set	R-410A/R-22/R-404A-PSI-Kg/Cm2/C
QS4L3H410A-5	64 mm LPF™	3ft. Soft Magic® Barrier Hose Set with 1/4" X 5/16" Connection	R-410A/R-22/R-404A-PSI-Kg/Cm2/C
QS4L5H-5	63 mm LPF™	5ft. Soft Magic® Barrier Hose Set	R-410A/R-22/R-404A-PSI-Kg/Cm2/C
QS4L6H-5	63 mm LPF™	6ft. Soft Magic® Barrier Hose Set	R-410A/R-22/R-404A-PSI-Kg/Cm2/C
QS4L3HEZ-5	63 mm LPF™	3ft. Red & Blue Soft Magic® Barrier EZ Turn Anti-Blowback Hose & Yellow Valve Hose	R-410A/R-22/R-404A-PSI-Kg/Cm2/C



# UNIWELD SMARTeCH™

## Wireless Digital Manifold

The Uniweld SmarTech Wireless Digital Manifold communicates with your Android or iOS smart device using our free downloadable app. The SmarTech app, with 109 refrigerant profiles, calculates and displays the system's real time pressures, temperatures, Superheat and Subcooling in a user friendly format.

SmarTech's digital accuracy takes the guess work out of properly charging a system for maximum efficiency and optimal performance.

## Unexpectedly More!

Isn't it time to give your brain a rest?  
Work smarter with Uniweld's SmarTech  
Wireless Digital Manifold...

### ACCURATE TEMPERATURE

Red and Blue Temperature Clamps, K-Type with 6 Ft. Lead and (2) K-Type Thermocouple Bead Probes



### FAST-FLO® 3X TIMES FASTER FLOW

5 Ft. Fast-Flo® 3/8" Charging & Vacuum hose with unrestricted full flow ball valve...more than 3 times faster vacuum than with standard 1/4" hoses.



Tank Adaptor  
3/8" M x 1/4" F

### EZ TURN® ANTI-BLOWBACK HOSES

5 Ft. Red and Blue Hoses with EZ® Turn Anti-Blowback Fittings that feature our exclusive thrust bearing that reduces friction so the service hose can be easily connected to the access fitting while under pressure. (Patents Pending)



### EZ ACCESS "T" FITTING™

Multi function 1/4" Male Flare "T" Fitting built into the blue hose for connecting a Micron Gauge or Simplified Purging and Charging Refrigerant. Micron Gauge Not Included. (Sold Separately). (Patents Pending)



Export a SmarTech Verified Report and email system performance data as a PDF or CSV file that can be easily tracked and saved.

2 valve aluminum manifold body with Fast-Flo® 3/8" center port, easy grip handles, double O-ring piston valves and easy access front hose holders

SMARTeCH™ DIGITAL MANIFOLD REPORT	
<b>Project Information</b> Date of Service: 1/20/2015 Time of Service: 08:00-12:00 Date Entry Made: SmartTech Method Class	
<b>Customer Information</b> Project Name: [Redacted] Customer Name: [Redacted] Address: [Redacted] Phone #: [Redacted] Email: [Redacted]	<b>Equipment Information</b> Refrigerant: R-134a Manufacturer: [Redacted] Condenser Model #: [Redacted] Evaporator Model #: [Redacted] Expansion Valve #: [Redacted]
<b>System Performance</b> Low Side Pressure: 107.9 psig Super Saturation: 35.0 °F Low Side Temperature: 55.4 °F	
<b>Subcooling (TEV)</b> Target Subcooling: 10.0 °F Actual Subcooling: 10.3 °F Efficiency: 100.0%	
<b>High Side Performance</b> High Side Pressure: 309.5 psig Liquid Subcooling: 98.0 °F High Side Temperature: 87.7 °F	
<b>Air Side Measurements</b> Outdoor Air Dry Bulb: 64.0 °F Outdoor Air Wet Bulb: 46.0 °F Indoor Air Dry Bulb: 64.0 °F Indoor Air Wet Bulb: 46.0 °F	
<b>Project Note</b> 08	

Uniweld Products, Inc. Fort Lauderdale, FL 33312 U.S.A. Contact No. 9899775796, 9311975796  
asharma@uniweld.com www.uniweld.com



For more information about the amazing Wireless SmarTech Manifold Please Scan QR code with Smart Phone or visit us at www.uniweld.com



# UNIWELD SMARTeCH™

## Wireless Digital Manifold

### SPECIFICATIONS

Pressure Measuring Range:	-29.9 to 0 to 650 psig
Pressure Reading:	psig, bar, kPa, Kg/cm <sup>2</sup>
Pressure Resolution:	0.1 psig, 0.01 bar, 0.01 kPa, 0.01 Kg/cm <sup>2</sup> , 0.1 inHg
Pressure Accuracy:	inHg: -29.9 to 0, ± 2
	PSIG: 0 to 200, ±1; 200 to 650 ± (0.3% reading +1)
	BAR: 0 to 13.79, ± 0.07; 13.79 to 44.82, ± (0.3% reading + 0.07)
	kPa: 0 to 1379, ±7; 1379 to 4482, ± (0.3% reading +7)
	Kg/cm <sup>2</sup> : 0 to 14.06, ± 0.07; 14.06 to 45.71, ± (0.3% reading + 0.07)
Proof Pressure:	Pressure w/o internal damage 800 psig
Burst Pressure:	Pressure w/o loss of seal 2000 psig
Temperature Clamps:	K-Type Thermocouple with 6 ft. lead
Temperature Sensor Range:	-40 °F to 266 °F (-40 °C to 130 °C)
Temperature Accuracy:	± 2 °F, ± 1 °C
Temperature Resolution:	0.1 °F or °C
Batteries:	6 x AA
Battery Life:	150 hours without backlight and wireless
Auto Power Off:	Settings: 30 Min., 60 Min., 120 Min. or Manual On/Off ( 60 Min.)
Screen Display:	LCD with On/Off Display Backlight

### FEATURES

- Measures High and Low Side Pressure and Temperature
- SmarTech App (Free Download) for compatible iOS and Android smart devices\*
- Superheat and Subcool Automatically calculated in real time by the SmarTech App
- Smart Charge Zone™ - Color coded differential for accurate "In the Zone" system charge
- Wirelessly connects to BLE or Bluetooth® 4.0 compatible smart device.
- Export a SmarTech Verified Report and email system performance data as a PDF or CSV file
- Protective Rubber Boot and easy access double zipper padded case with storage pockets
- 109 NIST Refrigerant Profiles included; SmarTech App upgradeable with free updates



### PART# USMAN5

INCLUDES: (1) Blue and (1) Red Temperature Clamp K-Type with 6 Ft. Lead, (2) Thermocouple Bead Probes, (1) Red 5 Ft. EZ Turn Hose, (1) Blue 5 Ft. EZ Turn Hose with 1/4" Male Flare "T" Fitting, (1) 5 FT. Fast-Flow® Black 3/8" Vacuum and Charging Hose with Ball Valve, (1) Adaptor 3/8" MF x 1/4" FF, SmarTech™ Protective Padded Case, (6) AA Batteries and (10) 5" Velcro Cable Tie Straps.



# NPF/LPF Gauges

The original NPF® No Pointer Flutter® Gauges that provide steady and accurate pressure readings. The encapsulated silicone dampened movement seldom needs recalibration. The gauge is guaranteed not to leak fluid and not to lose dampening characteristics. Scales are printed in refrigerant colors.

Uniweld's 2 1/2" LPF™ Limited Pointer Flutter™ Gauges with large, easy-to-read dial faces provide improved accuracy of pressure readings. Features include a high torque hair spring movement and a special pulsation dampener.

## COLOR CODED GAUGE BOOTS



63 MM

80 MM



Competitor's "Vibration Free" Gauge



Uniweld's NPF® Gauge

Size	Part#	Gauge Type	Case	Refrigerant Pressure/Temperature Scale
2 1/2" [63 mm]	G30LD-5	LPF™/Low Pressure	Blue	R-134a/R-12/R-22 PSI-kg/cm2-°F PSI-kg/cm2-°C
	G29LD-5	LPF™/High Pressure	Red	R-134a/R-12/R-22 PSI-kg/cm2-°F PSI-kg/cm2-°C
	G530LD-5	LPF™/Low Pressure	Blue	R-410A/R-22/R-404A PSI °F PSI-kg/cm2-°C PSI-kPa°C
	G529LD-5	LPF™/High Pressure	Red	R-410A/R-22/R-404A PSI °F PSI-kg/cm2-°C PSI-kPa°C
3 1/4" [80 mm]	G430ND-5	NPF™/Low Pressure	Blue	R-410A/R-22/R-404A/R-134a PSI-kg/cm2-°F PSI-kg/cm2-°C
	G429ND-5	NPF™/High Pressure	Red	R-410A/R-22/R-404A/R-134a PSI-kg/cm2-°F PSI-kg/cm2-°C
	G330ND-8	NPF™/Low Pressure	Blue	R-410A/R-32 PSI/BAR/C
	G329ND-8	NPF™/High Pressure	Red	R-410A/R-32 PSI/BAR/C





# Premium flexible barrier Ball Valve hose with standard fittings

## Soft Magic® Barrier/Ball Valve Hose & Valve Core Removal Tool

Rated for R-410A, CFC, HCFC and HFC refrigerants

**VALID FOR R-410A 2 YEAR WARRANTY**



Maximum Working Pressure: 800 PSI  
Burst Pressure: 4000 PSI



Standard Fitting (actual size)

Part#	Specification	Pressure
HC3SMB	36 IN. (3feet) Soft Magic® Barrier Hose Set (R,Y,B)	Max. Working Pressure : 800 psi Burst Pressure : 4000 psi
HC5SMB	60 IN. (5feet) Soft Magic® Barrier Hose Set (R,Y,B)	Max. Working Pressure : 800 psi Burst Pressure : 4000 psi
HC6SMB	72 IN. (6feet) Soft Magic® Barrier Hose Set (R,Y,B)	Max. Working Pressure : 800 psi Burst Pressure : 4000 psi
HC3SMB410A	36 IN. (3feet) Soft Magic® Barrier Hose Set (R,Y,B) (1/4" x 5/16")	Max. Working Pressure : 800 psi Burst Pressure : 4000 psi
HC5SMB410A	60 IN. (5feet) Soft Magic® Barrier Hose Set (R,Y,B) (1/4" x 5/16")	Max. Working Pressure : 800 psi Burst Pressure : 4000 psi

**VACUUM RATED TO 20 MICRONS**



Part#	Specification	Pressure
H3BVS	36 IN. (3feet) Ball Valve Hose Set (R,Y,B)	Max. Working Pressure : 800 psi Burst Pressure : 4000 psi
H5BVS	60 IN. (5feet) Ball Valve Hose Set (R,Y,B)R,Y,B)	Max. Working Pressure : 800 psi Burst Pressure : 4000 psi
H6BVS	72 IN. (6feet) Ball Valve Hose Set (R,Y,B)	Max. Working Pressure : 800 psi Burst Pressure : 4000 psi





# Premium flexible barrier Valve hose with anti-blowback fittings

## Soft Magic<sup>®</sup> Barrier Hose

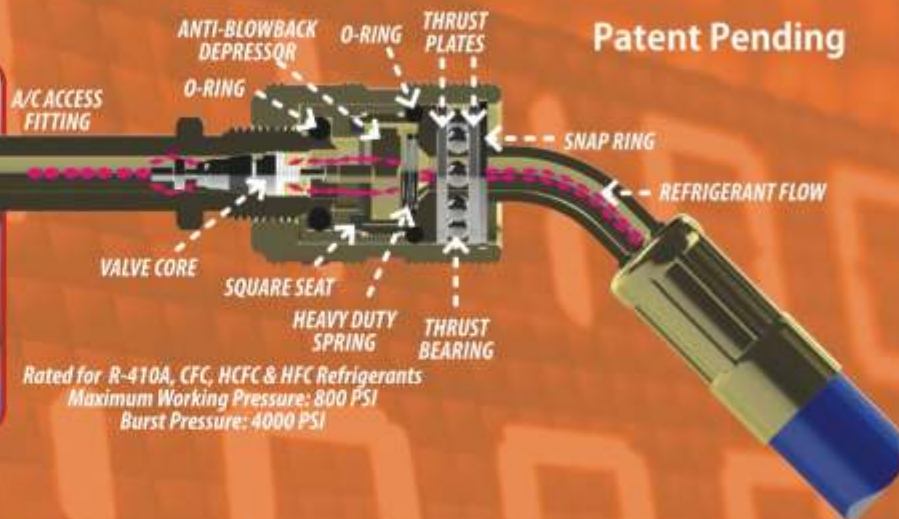


EZ Turn Anti-Blowback fitting has a thrust bearing that reduces friction so the service hose can be easily connected to the access fitting while under pressure. Compact design fits in tight work spaces. Deep square knurling and textured orange and blue band for easy fingertip control!

**UNDER PRESSURE**



**RATED FOR R410A +2 YEAR WARRANTY**



Part#	Specification	Pressure
EZ3HS	36 IN. (3feet) EZ Turn Hose Set (R,Y,B) (1/4" x 1/4")	Max. Working Pressure : 800 psi Burst Pressure : 4000 psi
EZ5HS	60 IN. (5feet) EZ Turn Hose Set (R,Y,B) (1/4" x 1/4")	Max. Working Pressure : 800 psi Burst Pressure : 4000 psi
EZ6HS	72 IN. (6feet) EZ Turn Hose Set (R,Y,B) (1/4" x 1/4")	Max. Working Pressure : 800 psi Burst Pressure : 4000 psi
EZM3HS	36 IN. (5feet) EZ Turn Hose Set (R,Y,B) (1/4" x 5/16")	Max. Working Pressure : 800 psi Burst Pressure : 4000 psi
EZM5HS	60 IN. (6feet) EZ Turn Hose Set (R,Y,B) (1/4" x 5/16")	Max. Working Pressure : 800 psi Burst Pressure : 4000 psi
EZM6HS	72 IN. (5feet) EZ Turn Hose Set (R,Y,B) (1/4" x 5/16")	Max. Working Pressure : 800 psi Burst Pressure : 4000 psi

### EZ TURN ANTI-BLOWBACK ADAPTORS

Part#	Specification
EZAB	Straight 1/4" M.F. x 1/4" F.F.
EZABM	Straight 1/4" M.F. x 5/16" F.F.
EZAB90	90° 1/4" M.F. x 5/16" F.F.
EZABM90	90° 1/4" M.F. x 5/16" F.F.



EZAB



EZAB90





# Tube Benders

Uniweld's CrossBow™ Ratchet Tube Bender enables plumbers and HVAC/R technicians to make precision bends up to 90° with soft copper and aluminum tubing. The low friction mandrels and rotating side support blocks provide precision bending in restricted spaces. Bend tubing sizes: 3/8", 1/2", 5/8", 3/4", 7/8", 1-1/8" O.D. You can produce bends with mini mum distortion for optimal flow. Repeated alternate angled bends are possible with the CrossBow™ Ratchet Tube Bender, housed in a rugged plastic carrying case.



*Minimum distortion bends up to 90°*

**Crossbow Ratchet Tube Bender**



**RTB118**

*CrossBow Kit includes: 6 interchangeable mandrels; 3 rotating side support block bars; 1 ratchet bender; plastic carrying case and instructions*

Part#	Description
RTB118	Crossbow Ratchet Tube Bender, Sizes: 3/8", 1/2", 3/4", 7/8", 1-1/8" O.D.
RTBCA118	1-1/8" C rossbar Assembly
RTBCA58	3/8", 1" and 5/8" Crossbar Assembly
RTBCA78	3" and 7/8" Crossbar Assembly
RTBM118	1-1/8" M andrel for Crossbow Ratchet Tube Bender
RTBM12	1" Mandrel for Crossbow Ratchet Tube Bender
RTBM34	3" Mandrel for Crossbow Ratchet Tube Bender
RTBM38	3/8" M andrel for Crossbow Ratchet Tube Bender
RTBM58	5/8" M andrel for Crossbow Ratchet Tube Bender
RTBM78	7/8" M andrel for Crossbow Ratchet Tube Bender
RTBR	Crossbow Ratchet Tube Bender Body Assembly

## 3-in-1 Tube Bender

The Uniweld 3-in-1 Triple Tube Bender is a compact and durable tool with multiple bending channels that is capable of bending 1/4", 5/16" and 3/8" O.D. soft copper, aluminum and soft stainless steel tubing. Calibrated markings show angle of bend for accurate left hand, right hand and ofset bends up to 180°. 1" bend radius.

70014



**Lever Type Tube Benders**

**3-in-1 Triple Tube Bender**

70015



Part#	Description	Tube Diam.	Bend Radius
70009	Bender	5/16" O.D.	1 1/16"
70010	Bender	3/8" O.D.	1"
70011	Bender	1/2" O.D.	1 1/2"

Part#	Description	Tube Diam.	Bend Radius
70012	Bender	5/8" O.D.	2 1/4"
70013	Bender	3/4" O.D.	3"
70014	Bender	7/8" O.D.	3 1/4"



## Heavy Duty Flare/Burnish/Swage Kit Tools



# Flaring/Swaging Tools

The 70003 Heavy Duty Flaring Tool has a hardened steel flaring cone with a chrome finish for more uniform flares without galling. Special shaped wing nuts allow the long handle of the self-centering yoke to be used as a lever when tightening. The hardened steel flaring bar grips tubing without scoring.

*soft copper, aluminum  
and brass tubing.*



70003



Part#	Description
70003	3/16", 1/4", 5/16", 3/8", 7/16", 1/2" and 5/8" O.D. Tube



70004



Part#	Description
70004	3/16", 1/4", 5/16", 3/8", 1/2" and 5/8" O.D. Tube

## Flare/Burnish and Swaging Tool Kit

Swaging means one, solder joint, not two. It now takes half the time to solder and braze the fitting with less chance of a leak.



70007



*soft copper, aluminum  
and brass tubing.*



Part#	Description
70049	5/16" O.D. Tube
70050	1/2" O.D. Tube

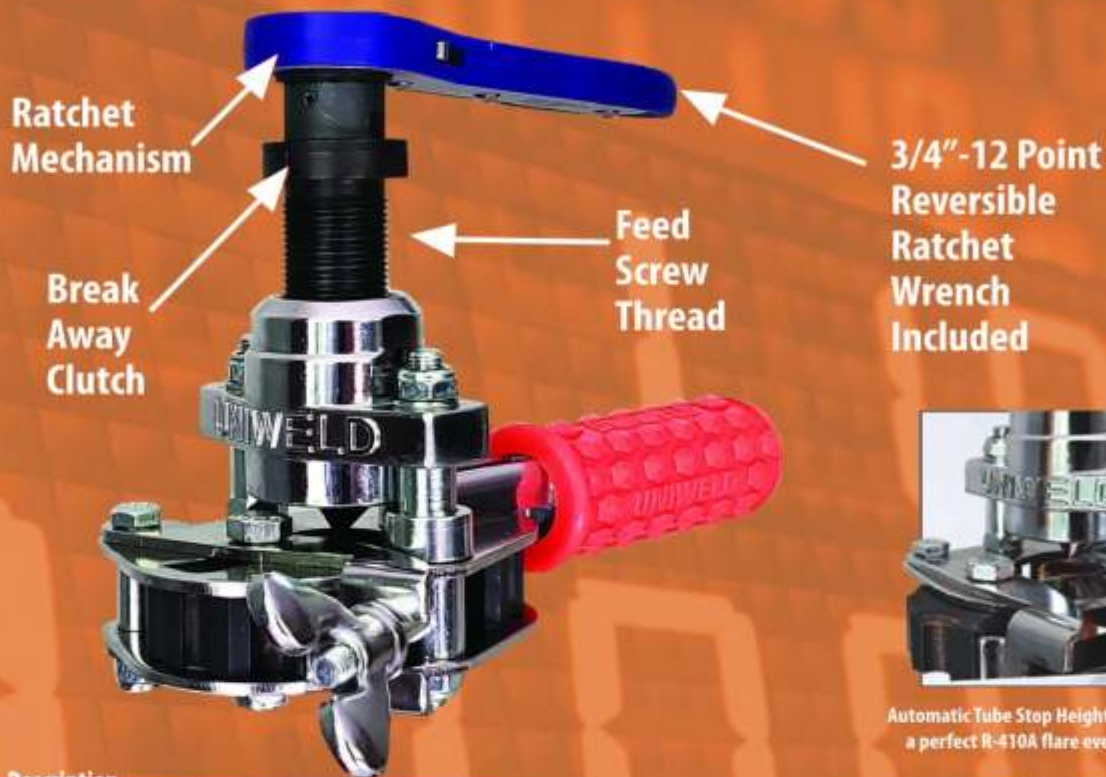
Part#	Description
70051	5/8" O.D. Tube
70053	45° Flare



Heavy Duty Flare/Burnish



# Electrical/Manual R-410A Ratchet + Clutch Flaring Tools



Automatic Tube Stop Height Gauge for a perfect R-410A flare every time!



3/4\"/>



Part#	Description
UDFT	1/8", 3/16", 1/4", 5/16", 3/8", 1/2", 5/8" & 3/4" O.D.

## SPECIFICATIONS

Specially designed to meet R-410A flaring specifications and all 45° flares for Soft Copper, Brass and Aluminum Tubing.

Internal break away clutch that disengages when flare is completed, prevents over flaring and crushing the copper tubing.

Automatic Tube Stop Height Gauge for a perfect R-410A flare every time!

3/4\"/>

3/8\"/>

Eccentric off center cone that spins on an axis and rolls out a perfectly uniform 45° flare with a burnished flare surface.

Self-Centering Clamping Dies for 8 Tube Sizes: 1/8, 3/16, 1/4, 5/16, 3/8, 1/2, 5/8, 3/4 Inch O.D.

Patent Pending

Mini Split A/C units are becoming increasingly popular and require flare connections on each end of the line set to connect the evaporator and condenser. Since R-410A is a much higher-pressure refrigerant, Mini Split manufacturers established R-410A flaring specifications that require a larger diameter, deeper flare for more surface area to seal against the male flare fitting and produce a stronger connection. Uniweld's Deluxe Flaring Tool features a built-in tube stop height gauge that makes a perfect R-410A flare without the guess work. Specifically designed to meet R-410A flaring specifications and can also be used on all 45° flares for Soft Copper, Brass and Aluminum Tubing.





# Expander Swage Tool Kit



**UEHST**



Posi-Lock  
Expander  
heads can  
be quickly  
switched out



Hydraulic  
Power for  
one handed  
swaging



Quick  
Release  
Lever



**70079**

## SPECIFICATIONS

Compact Hydraulic Power Swage Tool for on the job precision swaging

The power to swage 3/8" up to 1-5/8" O.D. tubing

Portable and lightweight easy one hand operation

Save time and money by eliminating fittings and soldering joints

Re-round deformed tubes and fittings for precision fit

### UEK1

Expander Swage Kit: Includes 6 Expander Heads 3/8", 1/2", 5/8", 3/4", 7/8", 1-1/8" + Inside/Outside Deburring Tool and Carrying Case with Storage Compartments 1-3/8" & 1-5/8" Sold Separately



**UEH1-3/8"**



**UEH2-1/2"**



**UEH3-5/8"**



**UEH4-3/4"**



**UEH5-7/8"**



**UEH6-1-1/8"**



**UEH7-138**



**UEH8-158**



**UEK1**





# Quick Action Tubing Cutter

The spring loaded ratchet cutter wheel feeding system enables quick-action contact/release for tubing size adjustment. Two small and two large rollers ensure perfect cutting action on the smallest and the largest tubing capacities. For cutting brass, aluminum and copper tubing.



## Mini Tubing Cutters

Design for use in restricted areas.



70000  
1/8" to 7/8" O.D.  
(3mm to 22mm)



Part#	Capacity
70000	1/8" to 7/8" O.D. (3mm to 22mm)
70001	1/8" to 1-1/4" O.D. (3mm to 32mm)
70002	1/4" to 2-1/2" O.D. (6mm to 62mm)
70090	5/16" to 1-5/8" O.D. (8mm to 42mm)



70001  
1/8" to 1 1/4" O.D.  
(3mm to 32mm)



## Quick-Action Premium Cutter



Quick-action, spring loaded mechanism adjusts and releases for tubing size changes.

### FEATURES

- ENCLOSED TELESCOPIC FEED SCREW MECHANISM FOR SMOOTH CUTTING ACTION
- 4 ROLLER TRACKING FOR TRUE SQUARED CUT
- FLARE CUT-OFF GROOVE FOR CLOSE CUTTING DAMAGED FLARE
- BUILT IN DEBURRING TOOL
- SPARE CUTTER WHEEL

Part#	Capacity
UTC701	1/8" to 1" O.D.
UTC702	1/8" to 1-1/8" O.D.
UTC703	1/8" to 1-3/8" O.D.
UTC704	1/8" to 1-3/4" O.D.
UTC705	1/4" to 2-3/4" O.D.



# UNIWELD SMARTeCH™

## Digital Refrigerant Scale with Solenoid Valve



**UPTO  
150 kg**

**Part #USRS300S**

### SPECIFICATIONS

Capacity: 3300lbs (150Kg)

Accuracy: +/-0.05% of reading +0.35 oz (10g)

Units: lbs., oz., Kg

Weight: 7.05 lbs (3.2kg)

Dimensions: 10.7" x 10.7" (27.2cm x 27.2cm)

Platform Size: 10.7" x 10.7" (27.2cm x 27.2cm)

Battery Powered (5 - AAA batteries)

### FEATURES

Durable cloth carrying bag with shoulder strap

Back lit display on control handle.

Metal loop on handle to either hang or prop handle for easy reading.

Programmable charging of refrigerant through included solenoid valve.

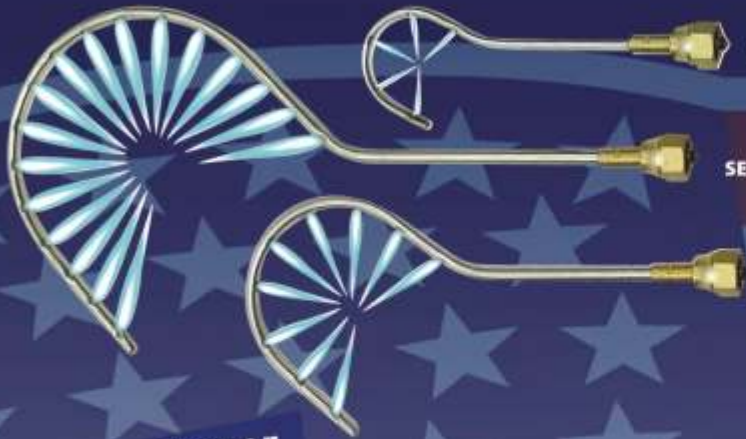


Uniweid Products, Inc. Fort Lauderdale, FL 33312 U.S.A. Contact No. 9899775796, 9311975796  
asharma@uniweid.com www.uniweid.com



# Cap'n Hook®

The patented Uniweld Cap'n Hook® Tip with concentrated heat up to 5600°F. The 40° flame angle flows onto copper tubing and away from sensitive areas, thus minimizing the chances of burning adjacent components. You get 100% wraparound for even heat distribution.



**MTF-5**  
FIVE FLAMES

**MTF-17**  
SEVENTEEN FLAMES

**MTF-9**  
NINE FLAMES



**K22P-T**

**TOUGH, DURABLE  
STAINLESS STEEL  
CONSTRUCTION**

**Part #** Cap'n Hook Set (K71MTFM5 / K71MTF5)

Includes : Connector, 12 ft. Oxygen and LPG / Acetylene Hoses and Free Single Tip Nozzle.



	Part#	UPC#	Acetylene Consumption SCFH	Oxygen Pressure PSIG	Acetylene Pressure PSIG	Overall Length	Brazing Copper Tubing (up to)
<b>Acetylene</b>	MTF-5	30590	4-6	8	5	5½"	1"
	MTF-9	30591	5-9	10	7	8½"	2"
	MTF-17	30592	8-14	18	12	11"	3"

	Part#	UPC#	MAP//Pro™ [Propylene] /Propane Consumption LBS/HR	Oxygen Pressure PSIG	MAP//Pro™ [Propylene] /Propane Pressure PSIG	Overall Length	Brazing Copper Tubing (Up to)
<b>MAP//Pro™ (Propylene) Propane</b>	MTFM-5	30595	2.6	10	5	5½"	1"
	MTFM-9	30596	3.1	15	7	8½"	2"
	MTFM-17	30597	5.6	20	10	11"	3"

All Cap'n Hook® Tips fit 71, WH550 & WH250 Handles.





# MAP//Pro™ & ZAPP Gas

MAP//Pro™ & ZAPP Gas is mixture of methylacetylene and propadiene is a new premium Propylene fuel of elding, brazing and soldering. This fuel that burns approximately 35% hotter than Propane and much higher than conventional Butane gas.

MAP Gas is widely regarded as a safer and easier to use substitute for acetylene.

Use only with torches designed for MAP//Pro™  
Available in 14.1 oz. (399.7g) cylinders



MDC



RP3B MAP Adaptor



Braze upto 2.5" with  
Air/fuel torch



ZDC

## Features

- Able to braze 5/8 pipe very fast as comparison to conventional butane gas.
- Create temperature upto 1500 degree centigrade while butane upto 500 degree.
- No need to carry heavy Oxygen and LPG cylinder.
- Butane or LPG produce more carbon inside brazing joint which may damage compressor while MAPP not produce carbon during brazing.

## Product Description

- Burning temperature: approach to 3600°F.
- Pressure(psig) 110 psig at temperature 20°C.
- CGA600 connector suitable for most torches.
- CE tested gas cylinder. Increased safety for the user.





# Hand Torches

## Self-igniting Swirl Combustion Tips

Uniweld Self-igniting Hand Torches eliminate the need for a flint lighter. Lightweight and portable, these flame tools can be operated with Propane or MAP//Pro™ (Propylene).



HT89U



HT7U

### TARGET HEAT

PROPANE 1750 °F [954 °C]  
MAP//Pro™ 2400 °F [1316 °C]  
(Propylene)

Part#	Solder Propane	Braze Propane	Solder MAP//Pro™ [Propylene]	Braze MAP//Pro™ [Propylene]
HT44	Up to 3"	Up to 1"	Up to 4"	Up to 1-1/4"
HT7U	Up to 1"	Up to 5/8"	Up to 1/5"	Up to 7/8"
HT89U	Up to 1"	Up to 5/8"	Up to 1/5"	Up to 7/8"

## Portable Brazing Kit



Portable brazing set for compressor fixing, attending of gas leakages, it can braze upto 3" and above hard copper pipes. Easy to carry in tools bag. Very effective & time saving tools.

Kit Includes : Uniweld Stand, Cap & Hook MTF/MTFM-5, Two Set of 12 ft. hoses, connector, MAP Adoptor, MAP Can, Oxygen Cylinder, Oxygen Regulator, Flash Back Arrestor





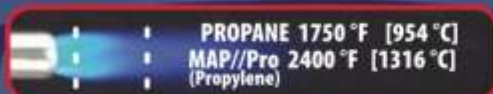
# Air/Fuel Torch

Braze without oxygen

The popular Air/Fuel Twister® Tips let you work with a stable, high energy efficient flame, even in windy conditions. Twister® helical blade technology maximizes the BTUs and speeds up the heat transfer. Can use this tip with MAP//Pro Gas

**FOR U.S. JOBS**  
UNIWELD EMPLOYS OVER 300 WORKERS

TARGET HEAT



STAINLESS STEEL FLAME TUBE

Braze without oxygen upto 3"

TARGET HEAT AREA THE MOST EFFICIENT AREA FOR HEAT TRANSFER.



Kit Part # KTH6BLP/KTH6BZDP  
Kit include: Handle, 12ft Hose, Tip



Air/Acetylene  
Kit include: Handle, 12ft Hose, Tip

Quick Connect Twister™ Tips Fit Uniweld TH6 Quick Connect Handles With Rear Control Valve

**Air/Acetylene**

Part#	UPC#	Copper Tubing Capacity Solder	Copper Tubing Capacity Braze
A-14	43024	2" to 3 1/2"	1" to 2"
A-32	43040	4" to 6"	1 1/2" to 4"
T2A-12	43053	1 1/4" to 3"	7/8" to 1-5/8"



**Copper Tubing Capacity**

**Air/LP & MAP//Pro**

Part#	UPC#	Propane Gas		MAP//Pro™ [Propylene] Gas	
		Solder	Braze	Solder	Braze
T-2	43030	1/8" to 1/4"	1/16" to 1/4"	1/8" to 1/2"	1/8" to 1/4"
T-3	43031	1/4" to 1"	1/8" to 1/2"	1/4" to 1 1/2"	1/4" to 1/2"
T-4	43032	1/4" to 1 1/2"	1/4" to 3/4"	1/4" to 2 1/2"	1/4" to 1 1/4"
T-5	43033	1 1/2" to 2 1/2"	1/2" to 1 1/4"	1" to 4"	1/2" to 2"



## Visible Vapor Charging Device/Nitrogen Flow Indicator/Regulators



# Vapor-Vue®/Nitrogen Flow



Absorbs heat naturally and flashes the liquid refrigerant from the cylinder and charges into the system as a vapor. Connecting the Vapor-Vue® to the low side of your charging manifold will increase the charging rate up to 8 times faster and the liquid is controlled by adjusting the manifold valve and monitoring the vapor rate through the double sight glass. Vapor-Vue® is factory pressure tested at 800 psi and can be used to charge any refrigeration & air conditioning system using R-410A, CFC, HCFC & HFC; Zeotropic and Azeotropic refrigerants without the danger of liquid slugging and damaging the compressor. Placing the manifold & Vapor-Vue® over hot discharge airflow of the condensing unit will increase the heat exchange and charging rate efficiency. Patent Pending.



Part#	Description
VV1	Vapor-Vue with 1/4" Flare Fittings - HVAC/R

Liquid Refrigerant to Vapor

## Nitrogen Flow

NV1 NitroVue is nitrogen purging simplified. The easy to read flow indicator label and the precision adjustable valve give complete control over the low flow of nitrogen gas during the brazing of copper tubing in Air Conditioning and Refrigeration systems. The bright orange float ball visually confirms the flow of nitrogen gas and allows the technician to first "PURGE" the copper lines at 20+ SCFH and then reduce the flow to "BRAZE" at 3-5 SCFH during the brazing process thus conserving its consumption and reducing operating cost.

The nitrogen must be flowing to displace the oxygen inside the tubing during the brazing process, preventing internal oxidatin and the resulting scale. Scale build up inside the tubing can cause blockage in the TXV and within the Air Conditioning and Refrigeration system resulting in premature failure. If the orange ball does not rise in the tube there is no flow of nitrogen, only static pressure and oxygen is not being displaced. The NV1 must be connected to a Nitrogen Regulator with the delivery pressure set at 60 PSI to control the nitrogen gas pressure. The NV1 can be used with complete confidence because it is protected from over pressure with a reseatable safety blow off that opens at 200+ PSI.



Part#	UPC#	GGA Inlet	Outlet Connection
NV1	14040	1/4" F.F.	1/4" M.F.

NV1 Nitrogen Flow Indicator

Reseatable Blow Off

Flow Ball Indicator





# Regulator

2" GAUGES  
WITH  
RUBBER  
BOOTS



**RHP800  
EXCEEDS MINI SPLIT  
PRESSURE TESTING  
REQUIREMENTS**

**HARDENED STEEL  
THREADED INSERT  
ELIMINATES GALLING**

**CGA580 INLET  
STANDARD  
(optional  
inlets available)**

**RESEATABLE  
SAFETY  
BLOWOFF**

**MACHINED  
SOLID BRASS  
BODY**

**BRASS T-HANDLE WITH  
STAINLESS STEEL  
PRESSURE  
ADJUSTING SCREW**



13820 (RHP800)

Medium duty single stage oxygen regulator with 2-Inch Dual scale gauges, for general gas control applications. Reseating pressure relief valve for safety and low pressure gauge protection. Superior flow capacity.



R250-540



R260-300

## Description

- Easy-To-Read Dual Scale 2-Inch Gauges, 200 and 4000 PSI/Kg
- CGA540 Inlet, Maximum Inlet: 3000 PSIG
- Large Brass T-Handle For Smooth, Accurate Adjustments
- Reseating Pressure Relief Device Where Needed For Added Regulator Protection
- Forged Brass Bonnet and Body

## Description

- Easy-To-Read Dual Scale 2" Gauges, 30 Red Line and 400 PSI/Kg
- CGA300 Inlet, Maximum Inlet: 300 PSIG
- Large Brass T-Handle For Smooth, Accurate Adjustments
- Forged Brass Bonnet and Body





# 20'N'1 and 6'N'1 Screwdrivers/Wrenches & Pinch-Off Tools

## Ratchet Screwdrivers/ Wrenches & Pinch-Off Tool

### 20 'N' 1 Ratchet Screwdriver

Multi-tip Ratchet Screwdriver with 14 magnetic interchangeable double-end bits, three nut drivers, two valve core extractors and one wire bender.

3 Ratchet Driver settings: Forward/Reverse/Manual

1" Nut Driver      5/16" Nut Driver      20N1RSD

12 Bit Storage Area

7/16" Nut Driver      Wire Bender (up to 12 ga.)      Valve Core Removal Tool      Valve Core Pick Extractor

Removes Broken Valve Core

Display Package

T-10 Torx	★	RSDBIT5	T-15 Torx	★
5/32" Allen	—	RSDBIT6	1/8" Allen	—
1/4" Allen	—	RSDBIT7	3/16" Allen	—
Valve Core Pick Extractor	⊖	RSDBIT8	Valve Core Removal Tool	⊖
3/16" Slotted	—	RSDBIT1	#1 Phillips	+
1/4" Slotted	—	RSDBIT2	#2 Phillips	+
5/16" Slotted	—	RSDBIT3	#3 Phillips	+
5-1 Square	—	RSDBIT4	5-2 Square	—

### 6 'N' 1 Ratchet Screwdriver

Change bits and driver sizes quickly with a pull, flip and click. Work with 4 magnetized bits and 2 driver sizes. Three ratchet driver settings: Forward, Reverse & Manual.

3 Ratchet Driver settings: Forward/Reverse/Manual

6N1RSD

#1 Phillips +      RSDBIT1 Magnetized      3/16" Slotted

1" Nut Driver      5/16" Nut Driver      #2 Phillips +      RSDBIT2 Magnetized      1/4" Slotted

### Reversible Ratchet Wrench

Use for compressor access valves and Acetylene B & MC tank valves. Square opening: 1/4" and 3/16" at one end; 3/8" and 5/16" at other end.



### Pinch-Off Tool



An effective way to isolate a piece of equipment in need of repair is to close off the tubing with the use of a Pinch-Off Tool. This works well in emergency situations that require immediate stopping of a leak. The maximum throat depth of this Pinch-Off Tool 70076 is 1" (25.4mm)



# Heat Sink Paste/Flame Barrier/Heat Guard



# Accessories

Cool Blue™ Heat Sink Paste protects the rubber and plastic seals in ball valves, solenoid valves, reversing valves and heat sensitive materials. To prevent overheating, a heat transfer cool indicator has been added. As the paste absorbs heat, it changes to a dark blue. Safe to use, non-toxic, harmless to skin and odorless. Easy to clean: wipe with cloth or wash with water.

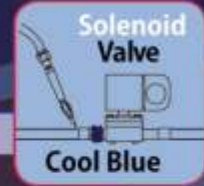
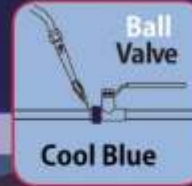


91861

FLIP TOP CAP

Cool Blue

Part#	UPC#	Description
91861	91861	Cool Blue™ Heat Sink Paste [Shipped in units of 12 only]



## Flame Barrier

A fire resistant material that provides a protective barrier between flammable surfaces and open flames when soldering and brazing. Prevent costly fire damage to wood surfaces, wiring, sheetrock, paint and other surfaces. Flame Barrier will keep its structural integrity up to 2700°F with a melting temperature of 3200°F.

4 Parts & Accessories

## Flashback Arrestors/Check Valves/Fittings

Flashback Arrestors quench backfire and flashback at the torch or regulator. UniWeld's Flashback Arrestors also have built-in check valves to prevent reverse flow of gases. They are color coded: Green [Oxygen]; Red [Fuel Gas] and are available for torches and regulators.



RFAB

FILTERED  
3/8" - 24 "A" Fitting

FILTERED  
9/16" - 18 "B" Fitting

Flashback Arrestors	Regulator		Torch		Regulator		Torch	
	Part#	UPC#	Part#	UPC#	Part#	UPC#	Part#	UPC#
Single Oxygen	RFAM100	10211	TFAM100	04061	RFA100	10206	TFA100	04056
Single Fuel	RFAM101	10212	TFAM101	04062	RFA101	10207	TFA101	04057
Set of (2) on card (1) Oxy & (1) Fuel	RFAA	10210	TFAA	04060	RFAB	10205	TFAB	04055

Available for torch and regulator. Flashback arrestors installed at the torch help protect the technician and at the regulator, help protect the equipment. \*UL Listed



TFAA



TFAB





Since 1949, Uniweld, a U.S. Manufacturer, has employed over 300 workers who help design, manufacture, and distribute U.S. made products to be sold worldwide! As we celebrate 70 years of manufacturing excellence, our focus is ever set on the future to provide a superior product coupled with unmatched customer service. Uniweld's World Headquarters and manufacturing facility based in Ft. Lauderdale, FL has state of the art robotic CNC machines that produce quality flame tools, accessories, and pressure gauges for the air conditioning, refrigeration, plumbing, heating, automotive and maintenance industries. We thank you for supporting Uniweld Products...

"QUALITY TOOLS THAT GOES TO WORK WITH YOU"

## NEW PRODUCTS



Digital Refrigerant with Solenoid Valve (150 kg) (see page 18)



Portable Brazing Kit (see page 21)



13820 (RHP800) Nitrogen Regulator (see page 24)



UVG2 (see page 5)



UDFC Electric & Manual Flaring Tool (see page 15)



KTH6BLP/ZDP Now Braze upto 3" Hard Pipe without Oxygen. (see page 22)



ZDC (see page 20)

